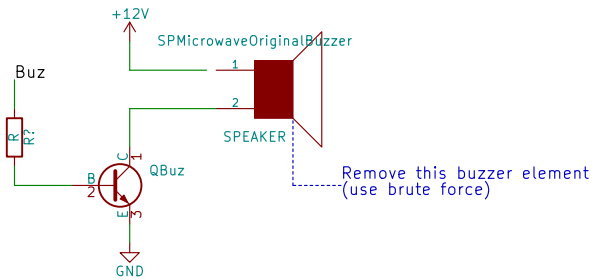


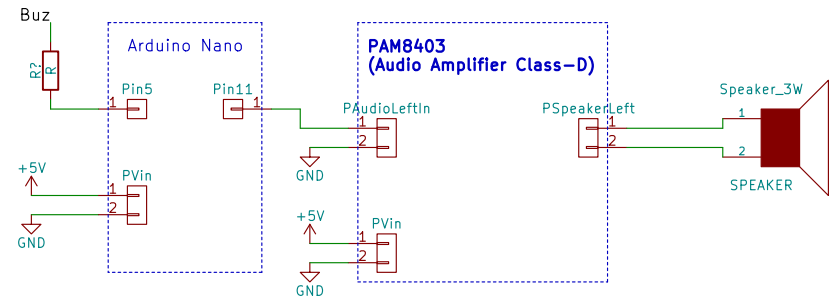
Unknown microwave oven electronics

Pin	Label	Description
1	B-C	Unknown
2	B-A	Unknown
3	Zero	Input 50Hz (zero crossing point?)
4	Door	Input High or Low when door is open
5	Fan	Output to relay to enable 230V AC Fan
6	Micro	Output to relay to enable 230V AC Inverter stuff
7	Grill	Output to relay to enable 230V AC stuff
8	Lamp	Output to relay to enable 230V AC Interior Lamp
9	Buz	Output to transistor and microwave buzzer, 2kHz wave 5V DC
10		Input 5V DC to microwave logic stuff
11		Gnd

Microwave oven original Buzzer-stuff



Added this stuff to generate sound instead of buzzer



Sheet: /
File: MicroMuteSchematic.sch

Title:

Size: A4
KiCad E.D.A. kicad 4.0.2-stable

Date:

Rev:
Id: 1/1